

SOLAR PUMP SYSTEMS

LORENTZ 
Sun. Water. Life.

PURANOVA
— PUMPING —

BENEFITS

- Cost efficient
- Less maintenance
- No need for battery storage
- Day and night operation

Hybrid
Operation



- Less PV modules
- More water and energy output
- Faster pay back
- Higher return on investment

Efficient



- All sensors
- All protection accessories
- Cost-effective

Complete
Solution



- Built-in datalogger
- Android-based mobile app
- Remote monitoring & control over the cloud using PS Communicator IOT solution

Connected



- Global presence
- Since 1993

Proven track
record



PS2 SOLAR WATER PUMPING SYSTEM

- INTEGRATED SOLAR WATER PUMPING SYSTEM
- FOR SMALL TO MEDIUM SIZED APPLICATIONS
- COVERS A POWER RANGE FROM 150W TO 4KW
- A WIDE RANGE OF PUMPS: SUBMERSIBLE, SURFACE OR POOL APPLICATIONS
- WITHSTAND HARSH AND REMOTE ENVIRONMENTS
- MODULAR DESIGN ALLOWS FASTER AND COST EFFECTIVE PART REPLACEMENT
- USING LORENTZ'S ECDRIVE DC MOTOR, DAILY EFFICIENCY GOES UP TO 90%
- CONNECTS TO PUMPMANAGER MOBILE APP FOR REMOTE M & C
- MAX FLOWRATE 79 M3/HOUR

BENEFITS & APPLICATIONS:

- REDUCE OPERATIONAL COSTS
- TACKLE WATER SECURITY
- BE MORE SUSTAINABLE
- FOR LIVESTOCK WATERING
- FOR POND MANAGEMENT
- FOR IRRIGATION
- FOR DRINKING WATER SUPPLY



PSK2 HYBRID SOLAR WATER PUMPING SYSTEM

- DESIGNED TO BE A COMPLETE SOLAR WATER PUMPING SYSTEM COMPRISING OF A SPECIALIZED PUMP CONTROLLER AND CAREFULLY MATCHED PUMPS.
- HAS EIGHT SENSOR INPUTS THAT ALLOW ANALOGUE AND DIGITAL SENSORS TO BE CONNECTED. THIS COMBINATION OF SENSORS WITH THE POWERFUL INBUILT SOFTWARE APPLICATIONS ALLOWS FOR FULL PUMP CONTROL AND WATER SPECIFIC APPLICATIONS.
- THE SYSTEM ALSO HAS AN INBUILT SUN SENSOR WHICH MEASURES THE AVAILABLE IRRADIATION AND THEN MAKES DECISIONS OF WHAT TO DO BASED ON THE AVAILABLE POWER. THE SUN SENSOR ALSO AVOIDS UNNECESSARY STOP START CYCLES WHICH INCREASE PUMP WEAR.
- A COMPLETE SOLUTION “OUT OF THE BOX” WITHOUT THE NEED FOR BUILDING ADDITIONAL SWITCHING CABINETS OR PLC UNITS.
- CAN RUN ON GRID POWER AND SOLAR POWER.
- CAN BE REMOTELY MANAGED AND DESIGNED TO HAVE LONG WORKING LIFE WITH NO OR LOW OPERATING COST.
- CAN HANDLE MID TO LARGE PROJECTS SINCE PSK2 SYSTEMS ARE AVAILABLE FROM 7KW TO 75KW
- USED FOR DRINKING WATER APPLICATIONS AND IRRIGATION PROJECTS.
- MEETS THE MOST DEMANDING REQUIREMENTS
- MAX FLOW RATE 240 M3/HOUR



SURFACE BOOSTER PUMP SYSTEMS

Pump Model	PS2-150 BOOST-60	PS2-150 BOOST-125	PS2-150 BOOST -240	PS2-150 BOOST-330
Head Max.	150m	110m	50m	50m
Flow Rate Max.	0.26 m ³ / h	0.50 m ³ / h	0.98 m ³ / h	1.3 m ³ / h
Controller	PS2-150	PS2-150	PS2-150	PS2-150
Pump Unit	PU BOOST - 60	PU BOOST - 125	PU BOOST - 240	PU BOOST - 330
Pump End	PE BOOST - 60	PE BOOST - 125	PE BOOST - 240	PE BOOST - 330
Motor	ECDRIVE 150- BOOST	ECDRIVE 150- BOOST	ECDRIVE 150- BOOST	ECDRIVE 150- BOOST



PS2-600 SURFACE PUMP SYSTEMS

Pump Model	PS2-600 CS-17-1	PS2-600 CS-F3-7	PS2-600 CS-F4-3
Head Max.	12m	40m	25m
Flow Rate Max.	18 m ³ / h	5.2 m ³ / h	8.9 m ³ / h
Controller	PS2-600	PS2-600	PS2-600
Pump Unit	PU600 CS-17-1	PU600 CS-F3-7	PU600 CS-F4-3
Pump End	PE CS-17-1	PE CS-F3-7	PE CS-F4-3
Motor	ECDRIVE 600 CS-17	ECDRIVE 600 CS-F	ECDRIVE 600 CS-F



PS2-1800 SURFACE PUMP SYSTEMS

Pump Model	PS2-1800 CS-37-1	PS2-1800 CS-F4-6	PS2-1800 CS-F12-2
Head Max.	14m	50m	22m
Flow Rate Max.	36 m ³ / h	8.5 m ³ / h	19 m ³ / h
Controller	PS2-1800	PS2-1800	PS2-1800
Pump Unit	PU1800 CS-37-1	PU1800 CS-F4-6	PU1800 CS-F12-2
Pump End	PE CS-37-1	PE CS-F4-6	PE CS-F12-2
Motor	ECDRIVE 1800 CS-37	ECDRIVE 1800 CS-F	ECDRIVE 1800 CS-F



PS2-4000 SURFACE PUMP SYSTEMS

Pump Model	PS2-4000 CS-F8-8	PS2-4000 CS-F16-3	PS2-4000 CS-F32-20-2	PS2-4000 CS-F42-10-1
Head Max.	70m	40m	30m	20m
Flow Rate Max.	12 m ³ / h	22 m ³ / h	42 m ³ / h	57 m ³ / h
Controller	PS2-4000	PS2-4000	PS2-4000	PS2-4000
Pump Unit	PU4000 CS-F8-8	PU4000 CS-F16-3	PU4000 CS-F32-20-2	PU4000 CS-F42-10-1
Pump End	PE CS-F8-8	PE CS-F16-3	PE CS-F32-20-2	PE CS-F42-10-1
Motor	ECDRIVE 4000-CS-F	ECDRIVE 4000-CS-F	ECDRIVE 4000-CS-F	ECDRIVE 4000-CS-F



PSK2-7 SURFACE PUMP SYSTEMS

Pump Model	PSk2-7 CS-F12-9	PSk2-7 CS-F20-5	PSk2-7 CS-G100-17/2
Head Max.	90m	50m	18m
Flow Rate Max.	17 m ³ / h	33 m ³ / h	114 m ³ / h
Controller	PSk2-7	PSk2-7	PSk2-7
Pump Unit	PUk2-7 CS-F12-9	PUk2-7 CS-F20-5	PUk2-7 CS-G100-17/2
Pump End	PE CS-F12-9	PE CS-F20-5	PE CS-G100-17/2
Motor	AC DRIVE CS- F 5.5kW	AC DRIVE CS- F 5.5kW	AC DRIVE CS- F 5.5kW



PSK2-9 SURFACE PUMP SYSTEMS

Pump Model	PSk2-9 CS-F20-7	PSk2-9 CS-F42-20	PSk2-9 CS-G100-22/2
Head Max.	80m	45m	20m
Flow Rate Max.	33 m ³ / h	65 m ³ / h	120 m ³ / h
Controller	PSk2-9	PSk2-9	PSk2-9
Pump Unit	PUk2-9 CS-F20-7	PUk2-9 CS-F42-20	PUk2-9 CS-G100-22/2
Pump End	PE CS-F20-7	PE CS-F42-20	PE CS-G100-22/2
Motor	AC DRIVE CS-F 7.5kW	AC DRIVE CS-F 7.5kW	AC DRIVE CS-F 7.5kW



PSK2-15 SURFACE PUMP SYSTEMS

Pump Model	PSk2-15 CS-F32-60-2	PSk2-15 CS-F65-20	PSk2-15 CS-G100-27/2	PSk2-15 CS-G150-12.5/4
Head Max.	80m	45m	25m	12m
Flow Rate Max.	41 m ³ / h	94 m ³ / h	135 m ³ / h	279 m ³ / h
Controller	PSk2-15	PSk2-15	PSk2-15	PSk2-15
Pump Unit	PUk2-15 CS-F32-60-2	PUk2-15 CS-F65-20	PUk2-15 CS-G100-27/2	PUk2-15 CS-G150-12.5/4
Pump End	PE CS-F32-60-2	PE CS-F65-20	PE CS-G100-27/2	PE CS-G150-12.5/4
Motor	AC DRIVE CS-F 11kW	AC DRIVE CS-F 11kW	AC DRIVE CS-F 11kW	AC DRIVE CS-G 11kW/4p



PSK2-21 SURFACE PUMP SYSTEMS

Pump Model	PSk2-21 C-F42-40	PSk2-21 C-F85-20	PSk2-21 CS-G80-38/2	PSk2-21 CS-G150-17/4
Head Max.	80m	50m	38m	16m
Flow Rate Max.	63 m ³ / h	120 m ³ / h	119 m ³ / h	306 m ³ / h
Controller	PSk2-21	PSk2-21	PSk2-21	PSk2-21
Pump Unit	PUk2-21 C-F42-40	PUk2-21 C-F85-20	PUk2-21 CS-G80-38/2	PUk2-21 CS-G150-17/4
Pump End	PE C-F42-40	PE C-F85-20	PE CS-G80-38/2	PE CS-G150-17/4
Motor	AC DRIVE CS-F 15kW	AC DRIVE CS-F 15kW	AC DRIVE CS-F 15kW	AC DRIVE CS-G 15kW/4p



PSK2-25 SURFACE PUMP SYSTEMS

Pump Model	PSk2-25 CS-G100-40/2	PSk2-25 CS-G200-15/4
Head Max.	40m	16m
Flow Rate Max.	166 m ³ / h	457 m ³ / h
Controller	PSk2-25	PSk2-25
Pump Unit	PUk2-25 CS-G100-40/2	PUk2-25 CS-G200-15/4
Pump End	PE CS-G100-40/2	PE CS-G200-15/4
Motor	AC DRIVE CS-G 18.5kW	AC DRIVE CS-G 18.5kW/4p



PSK2-40 SURFACE PUMP SYSTEMS

Pump Model	PSk2-40 CS-F85-40	PSk2-40 CS-G125-40/4	PSk2-40 CS-G200-24/4
Head Max.	90m	40m	22m
Flow Rate Max.	125 m ³ / h	268 m ³ / h	499 m ³ / h
Controller	PSk2-40	PSk2-40	PSk2-40
Pump Unit	PUk2-40 CS-F85-40	PUk2-40 CS-G125-40/4	PUk2-40 CS-G200-24/4
Pump End	PE CS-F85-40	PE CS-G125-40/4	PE CS-G200-24/4
Motor	AC DRIVE CS-F 30kW	AC DRIVE CS-G 30kW/4p	AC DRIVE CS-G 30kW/4p



PS2-150 SUBMERSIBLE CENTRIFUGAL SYSTEMS

Pump Model	PS2-150 C-SJ5-4	PS2-150 C-SJ5-8	PS2-200 C-SJ3-9
Head Max.	12m	20m	35m
Flow Rate Max.	6.1 m ³ / h	4.6 m ³ / h	3.3 m ³ / h
Controller	PS2-150	PS2-150	PS2-200
Pump Unit	PU150 C-SJ5-4	PU150 C-SJ5-8	PU200 C-SJ3-9
Pump End	PE C-SJ5-4	PE C-SJ5-8	PE C-SJ3-9
Motor	ECDRIVE 150-C	ECDRIVE 150-C	ECDRIVE 200-HR



PS2-150 SUBMERSIBLE HELICAL ROTOR SYSTEMS

PS2-200 SUBMERSIBLE HELICAL ROTOR SYSTEMS

Pump Model	PS2-150 AHR – 04S	PS2-150 AHR – 07S	PS2-200 HR-04	PS2-200 HR-07	PS2-200 HR-14
Head Max.	60m	60m	50m	40m	20m
Flow Rate Max.	0.77 m ³ / h	1.4 m ³ / h	0.73 m ³ / h	1.3 m ³ / h	2.6 m ³ / h
Controller	PS2-150	PS2-150	PS2-200	PS2-200	PS2-200
Pump Unit	PU150 AHR - 04S	PU150 AHR - 07S	PU200 HR-04	PU200 HR-07	PU200 HR-14
Pump End	PE AHR-04S	PE AHR-07S	PE HR-04	PE HR-07	PE HR-14
Motor	ECDRIVE 150-AHR-S	ECDRIVE 150-AHR-S	ECDRIVE 200-HR	ECDRIVE 200-HR	ECDRIVE 200-HR



PS2-600 SUBMERSIBLE CENTRIFUGAL SYSTEMS

Pump Model	PS2-600 C-SJ3-9	PS2-600 C-SJ5-8	PS2-600 C-SJ8-5
Head Max.	50m	30m	15m
Flow Rate Max.	4.1 m ³ / h	6.5 m ³ / h	12 m ³ / h
Controller	PS2-600	PS2-600	PS2-600
Pump Unit	PU600 C-SJ3-9	PU600 C-SJ5-8	PU600 C-SJ8-5
Pump End	PE C-SJ3-9	PE C-SJ5-8	PE C-SJ8-5
Motor	ECDRIVE 600-C	ECDRIVE 600-C	ECDRIVE 600-C



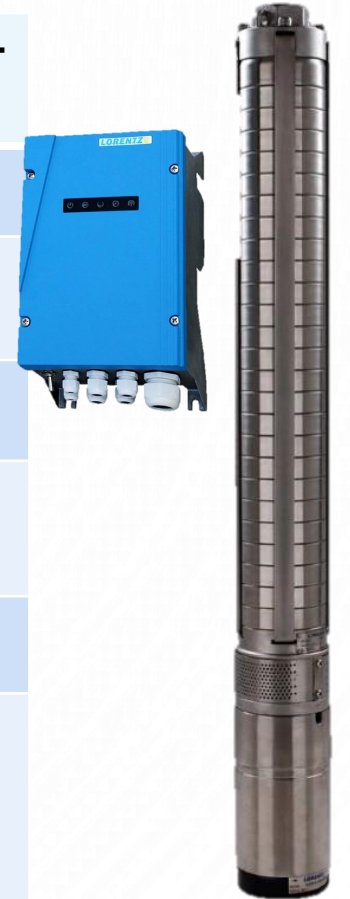
PS2-600 SUBMERSIBLE HELICAL ROTOR SYSTEMS

Pump Model	PS2-600 HR-03	PS2-600 HR-03H	PS2-600 HR-04	PS2-600 HR-04H	PS2-600 HR-07	PS2-600 HR-10	PS2-600 HR-14
Head Max.	120m	180m	70m	140m	90m	120m	50m
Flow Rate Max.	0.45 m ³ / h	0.45 m ³ / h	0.72 m ³ / h	0.72 m ³ / h	1.3 m ³ / h	2.0 m ³ / h	2.6 m ³ / h
Controller	PS2-600	PS2-600	PS2-600	PS2-600	PS2-600	PS2-600	PS2-600
Pump Unit	PU600 HR-03	PU600 HR-03H	PU600 HR-04	PU600 HR-04H	PU600 HR-07	PU600 HR-10	PU600 HR-14
Pump End	PE HR-03	PE HR-03H	PE HR-04	PE HR-04H	PE HR-07	PE HR-10	PE HR-14
Motor	ECDRIVE 600-HR	ECDRIVE 600-HR	ECDRIVE 600-HR	ECDRIVE 600-HR	ECDRIVE 600-HR	ECDRIVE 600-HR	ECDRIVE 600-HR



PS2-1800 SUBMERSIBLE CENTRIFUGAL SYSTEMS

Pump Model	PS2-1800 C-SJ1-25	PS2-1800 C-SJ3-18	PS2-1800 C-SJ5-12	PS2-1800 C-SJ8-7	PS2-1800 C-SJ12-4	PS2-1800 C-SJ17-2	PS2-1800 C-SJ30-1	PS2-1800 C-SJ42-1
Head Max.	140m	80m	70m	40m	18m	16m	10m	8m
Flow Rate Max.	3.0 m ³ / h	4.0 m ³ / h	7.6 m ³ / h	13 m ³ / h	20 m ³ / h	26 m ³ / h	49 m ³ / h	53 m ³ / h
Controller	PS2-1800	PS2-1800	PS2-1800	PS2-1800	PS2-1800	PS2-1800	PS2-1800	PS2-1800
Pump Unit	PU1800 C-SJ1-25	PU1800 C-SJ3-18	PU1800 C-SJ5-12	PU1800 C-SJ8-7	PU1800 C-SJ12-4	PU1800 C-SJ17-2	PU1800 C-SJ30-1	PU1800 C-SJ42-2
Pump End	PE C-SJ1-25	PE C-SJ3-18	PE C-SJ5-12	PE C-SJ8-7	PE C-SJ12-4	PE C-SJ17-2	PE C-SJ30-1	PE C-SJ42-1
Motor	ECDRIVE 1200-C / ECDRIVE 1800-C	ECDRIVE 1200-C / ECDRIVE 1800-C	ECDRIVE 1200-C / ECDRIVE 1800-C	ECDRIVE 1200-C / ECDRIVE 1800-C	ECDRIVE 1200-C / ECDRIVE 1800-C	ECDRIVE 1200-C / ECDRIVE 1800-C	ECDRIVE 1200-C / ECDRIVE 1800-C	ECDRIVE 1200-C / ECDRIVE 1800-C



PS2-4000 SUBMERSIBLE CENTRIFUGAL SYSTEMS

Pump Model	PS2-4000 C-SJ3-32	PS2-4000 C-SJ5-25	PS2-4000 C-SJ8-15	PS2-4000 C-SJ17-4	PS2-4000 C-SJ30-2	PS2-4000 C-SJ42-2	PS2-4000 C-SJ60-1	PS2-4000 C-SJ60-2-2
Head Max.	220m	140m	80m	45m	22m	18m	10m	16m
Flow Rate Max.	4.2 m ³ / h	7.0 m ³ / h	13 m ³ / h	26 m ³ / h	44 m ³ / h	53 m ³ / h	78 m ³ / h	57 m ³ / h
Controller	PS2-4000	PS2-4000	PS2-4000	PS2-4000	PS2-4000	PS2-4000	PS2-4000	PS2-4000
Pump Unit	PU4000 C-SJ3-32	PU4000 C-SJ5-25	PU4000 C-SJ8-15	PU4000 C-SJ17-4	PU4000 C-SJ30-2	PU4000 C-SJ42-2	PU4000 C-SJ60-1	PU4000 C-SJ60-2-2
Pump End	PE C-SJ3-32	PE C-SJ5-25	PE C-SJ8-15	PE C-SJ17-4	PE C-SJ30-2	PE C-SJ42-2	PE C-SJ60-1	PE C-SJ60-2-2
Motor	ECDRIVE 4000-C	ECDRIVE 4000-C	ECDRIVE 4000-C	ECDRIVE 4000-C	ECDRIVE 4000-C	ECDRIVE 4000-C	ECDRIVE 4000-C	ECDRIVE 4000-C



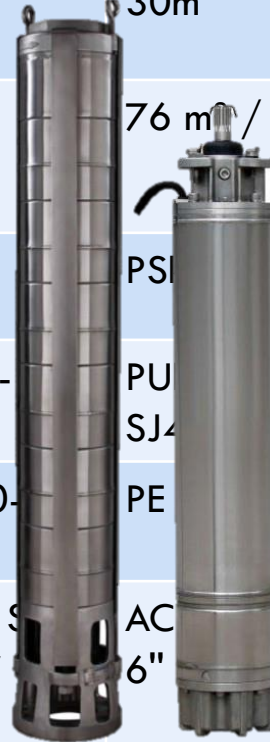
PS2-4000 SUBMERSIBLE HELICAL ROTOR SYSTEMS

Pump Model	PS2-4000 HR-05HHL	PS2-4000 HR-14HL
Head Max.	450m	180m
Flow Rate Max.	0.92 m ³ / h	2.6 m ³ / h
Controller	PS2-4000	PS2-4000
Pump Unit	PU4000 HR-05HHL	PU4000 HR-14HL
Pump End	PE HR-05HHL	PE HR-14HL
Motor	ECDRIVE 4000-HR	ECDRIVE 4000-HR



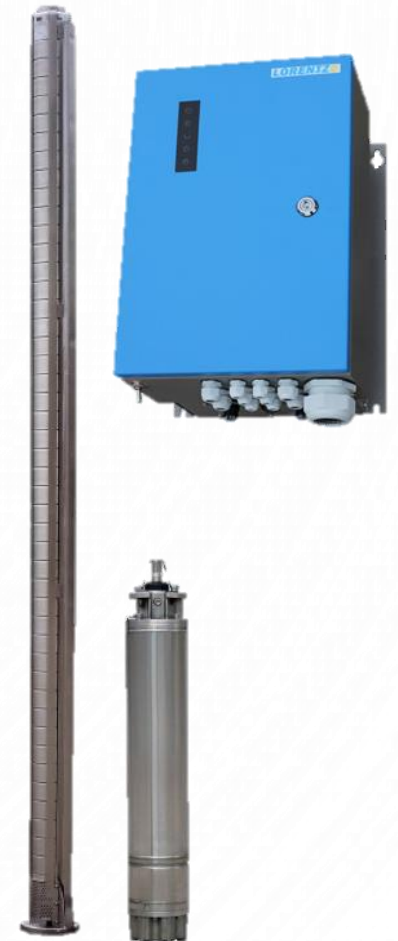
PSK2-7 SUBMERSIBLE PUMP SYSTEMS

Pump Model	PSk2-7 C-SJ8-30	PSk2-7 C-SJ12-15	PSk2-7 C-SJ17-9	PSk2-7 C-SJ30-6	PSk2-7 C-SJ42-3	PSk2-7 C-SJ95-1
Head Max.	160m	100m	80m	50m	30m	16m
Flow Rate Max.	13 m ³ / h	23 m ³ / h	25 m ³ / h	42 m ³ / h	76 m ³ / h	128 m ³ / h
Controller	PSk2-7	PSk2-7	PSk2-7	PSk2-7	PSk2-7	PSk2-7
Pump Unit	PUk2-7 C-SJ8-30	PUk2-7 C-SJ12-15	PUk2-7 C-SJ17-9	PUk2-7 C-SJ30-6	PUk2-7 C-SJ42-3	PUk2-7 C-SJ95-1
Pump End	PE C-SJ8-30	PE C-SJ12-15	PE C-SJ17-9	PE C-SJ30-6	PE C-SJ42-3	PE C-SJ95-1
Motor	AC DRIVE SUB 6" 5.5kW	AC DRIVE SUB 6" 5.5kW	AC DRIVE SUB 6" 5.5kW	AC DRIVE SUB 6" 5.5kW	AC DRIVE SUB 6" 5.5kW	AC DRIVE SUB 6" 5.5kW



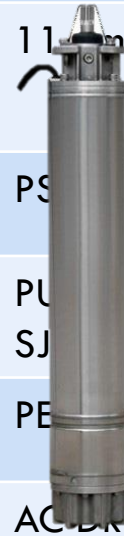
PSK2-9 SUBMERSIBLE PUMP SYSTEMS

Pump Model	PSk2-9 C-SJ8-44	PSk2-9 C-SJ17-11	PSk2-9 C-SJ30-7
Head Max.	180m	90m	50m
Flow Rate Max.	12 m ³ / h	25 m ³ / h	39 m ³ / h
Controller	PSk2-9	PSk2-9	PSk2-9
Pump Unit	PUk2-9 C-SJ8-44	PUk2-9 C-SJ17-11	PUk2-9 C-SJ30-7
Pump End	PE C-SJ8-44	PE C-SJ17-11	PE C-SJ30-7
Motor	AC DRIVE SUB 6" 7.5kW	AC DRIVE SUB 6" 7.5kW	AC DRIVE SUB 6" 7.5kW



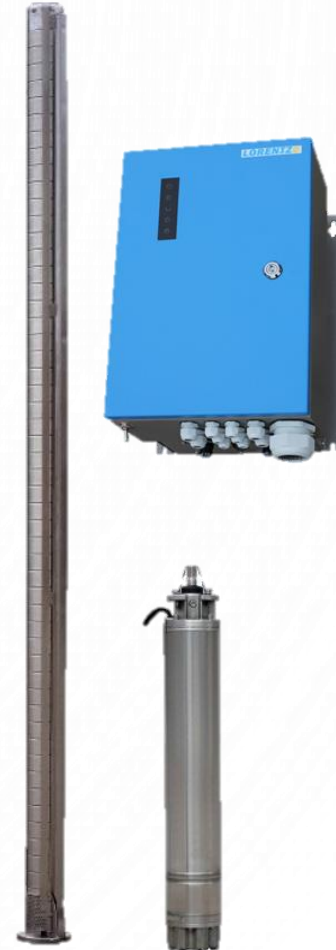
PSK2-15 SUBMERSIBLE PUMP SYSTEMS

Pump Model	PSk2-15 C-SJ17-18	PSk2-15 C-SJ30-12	PSk2-15 C-SJ42-6	PSk2-15 C-SJ75-3	PSk2-15 C-SJ95-2	PSk2-15 C-SJ150-1
Head Max.	140m	100m	50m	35m	25m	16m
Flow Rate Max.	22 m ³ / h	39 m ³ / h	65 m ³ / h	126 m ³ / h	111 m ³ / h	235 m ³ / h
Controller	PSk2-15	PSk2-15	PSk2-15	PSk2-15	PSk2-15	PSk2-15
Pump Unit	PUk2-15 C-SJ17-18	PUk2-15 C-SJ30-12	PUk2-15 C-SJ42-6	PUk2-15 C-SJ75-3	PUk2-15 C-SJ95-2	PUk2-15 C-SJ150-1
Pump End	PE C-SJ17-18	PE C-SJ30-12	PE C-SJ42-6	PE C-SJ75-3	PE C-SJ95-2	PE C-SJ150-1
Motor	AC DRIVE SUB 6" 11kW	AC DRIVE SUB 6" 11kW	AC DRIVE SUB 6" 11kW	AC DRIVE SUB 6" 11kW	AC DRIVE SUB 6" 11kW	AC DRIVE SUB 6" 11kW



PSK2-21 SUBMERSIBLE PUMP SYSTEMS

Pump Model	PSk2-21 C-SJ8-50	PSk2-21 C-SJ17-26	PSk2-21 C-SJ30-16	PSk2-21 C-SJ42-10	PSk2-21 C-SJ75-4	PSk2-21 C-SJ120-2-1
Head Max.	280m	220m	120m	90m	55m	30m
Flow Rate Max.	12 m ³ / h	23 m ³ / h	43 m ³ / h	62 m ³ / h	112 m ³ / h	218 m ³ / h
Controller	PSk2-21	PSk2-21	PSk2-21	PSk2-21	PSk2-21	PSk2-21
Pump Unit	PUk2-21 C-SJ8-50	PUk2-21 C-SJ17-26	PUk2-21 C-SJ30-16	PUk2-21 C-SJ42-10	PUk2-21 C-SJ75-4	PUk2-21 C-SJ120-2-1
Pump End	PE C-SJ8-50	PE C-SJ17-26	PE C-SJ30-16	PE C-SJ42-10	PE C-SJ75-4	PE C-SJ120-2-1
Motor	AC DRIVE SUB 6" 15kW	AC DRIVE SUB 6" 15kW	AC DRIVE SUB 6" 15kW	AC DRIVE SUB 6" 15kW	AC DRIVE SUB 6" 15kW	AC DRIVE SUB 6" 15kW



PSK2-25 SUBMERSIBLE PUMP SYSTEMS

Pump Model	PSk2-25 C-SJ30-22	PSk2-25 C-SJ42-12	PSk2-25 C-SJ95-4	PSk2-25 C-SJ150-2-2
Head Max.	200m	90m	60m	35m
Flow Rate Max.	38 m ³ / h	66 m ³ / h	112 m ³ / h	228 m ³ / h
Controller	PSk2-25	PSk2-25	PSk2-25	PSk2-25
Pump Unit	PUk2-25 C-SJ30-22	PUk2-25 C-SJ42-12	PUk2-25 C-SJ95-4	PUk2-25 C-SJ150-2-2
Pump End	PE C-SJ30-22	PE C-SJ42-12	PE C-SJ95-4	PE C-SJ150-2-2
Motor	AC DRIVE SUB 6" 18.5kW	AC DRIVE SUB 6" 18.5kW	AC DRIVE SUB 6" 18.5kW	AC DRIVE SUB 6" 18.5kW



PSK2-40 SUBMERSIBLE PUMP SYSTEMS

Pump Model	PSk2-40 C-SJ30-35	PSk2-40 C-SJ42-19	PSk2-40 C-SJ95-7	PSk2-40 C-SJ120-3
Head Max.	300m	200m	110m	55m
Flow Rate Max.	37 m ³ / h	63 m ³ / h	119 m ³ / h	241 m ³ / h
Controller	PSk2-40	PSk2-40	PSk2-40	PSk2-40
Pump Unit	PUk2-40 C-SJ30-35	PUk2-40 C-SJ42-19	PUk2-40 C-SJ95-7	PUk2-40 C-SJ120-3
Pump End	PE C-SJ30-35	PE C-SJ42-19	PE C-SJ95-7	PE C-SJ120-3
Motor	AC DRIVE SUB 6" 30kW	AC DRIVE SUB 6" 30kW	AC DRIVE SUB 6" 30kW	AC DRIVE SUB 6" 30kW



